



 **NORWESCO**

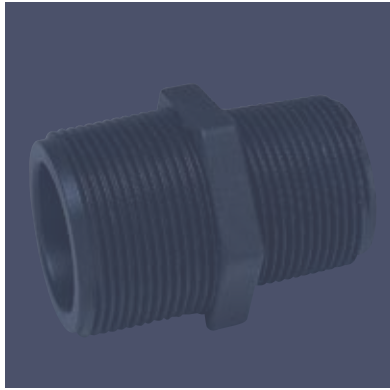
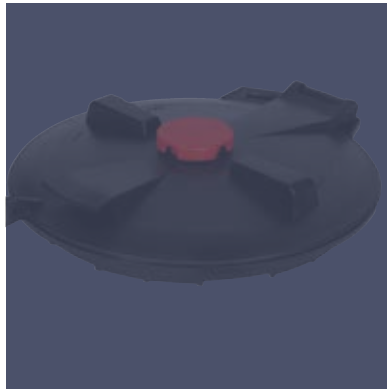
VALVES & COUPLERS
2015 EDITION

POLYPROPYLENE BULKHEAD FITTINGS / EPDM OR VITON GASKETS

Norwesco's polypropylene fittings come standard with an EPDM gasket. Viton gaskets are available as an option when EPDM may not be suitable for your application. The 2" stainless steel bulkhead fitting comes standard without a gasket.

DESCRIPTION	HOLE SIZE REQUIRED IN TANK FOR INSTALLATION	ITEM CODE	PART NO.
½" Heavy duty double threaded polypropylene fitting	17/16"	A	62834
¾" Double threaded polypropylene fitting	17/16"	A	60401
EPDM gasket for ½" and ¾" (62834 and 60401)			60402
Type B Viton gasket for ½" and ¾" (62834 and 60401)			60360
¾" Heavy duty double threaded polypropylene fitting	1⅝"	A	62798
EPDM gasket ¾" (62798)			62799
Type B Viton gasket for ¾" (62798)			62800
1" Double threaded polypropylene fitting	2¼"	A	60427
1¼" Double threaded polypropylene fitting	2¼"	A	60403
1¼" Anti-vortex polypropylene fitting	2¼"	D	63065
EPDM gasket for 1" and 1¼" (60427, 60403 and 63065)			60404
Type B Viton gasket for 1" and 1¼" (60427, 60403 and 63065)			60361
Anti-vortex adapter for 1¼" (60403)			62398
1½" Standard duty double threaded polypropylene fitting	2⅜"	A	63931
EPDM gasket for 1½" (63931)			63938
Type B Viton gasket for 1½" (63931)			63939
1½" Double threaded polypropylene fitting	3"	A	60124
Siphon tube, 1½" x 415/16" long			63682
Siphon tube, 1½" x 12" long			63279
2" Double threaded polypropylene fitting	3"	A	60405
2" Double threaded 316 stainless steel fitting, less gasket	3"		61767
EPDM gasket for 1½" and 2" (60124, 60405, 63481 and 61767)			60406
Type B Viton gasket for 1½" and 2" (60124, 60405, 63481 and 61767)			60523
2" Standard duty double threaded polypropylene fitting (maximum tank wall thickness = ⅜")	3"	E	63481
2" Heavy duty double threaded polypropylene fitting	3¼"	B	63683
EPDM gasket for 2" (63683)			60336
Type B Viton gasket for 2" (63683)			60008
Siphon tube, 2" short			60335
Siphon tube, 2" x 12" long			63262
2" MPT vent cap with poly screen			63266
2" MPT vent cap, anti-vortex, without screen			63316
Anti-vortex adapter for 2" bulkhead fitting			62399
2" Polypropylene dust plug			60021
2" Self-aligning double threaded polypropylene fitting (designed to install in dome of vertical tank above the liquid level)	4½"		63668
EPDM gasket for 2" self-aligning (63668)			60331
Type B Viton gasket for 2" self-aligning (63668)			60351
3" Double threaded polypropylene fitting (hex nut as shown in photo C)	4½"	C	62299
EPDM gasket for 3" (62299)			60331
Type B Viton gasket for 3" (62299)			60351
2" Polypropylene reducer for 3"			60330
Siphon tube, 3" short			60327
Siphon tube, 3" x 12" long			63263
3" MPT vent cap with poly screen			63845
4" Double threaded polypropylene fitting (hex nut as shown in photo C)	5¾"		62171
EPDM gasket for 4" (62171)			62785
Type B Viton gasket for 4" (62171)			62786
Siphon tube for 4"			62714





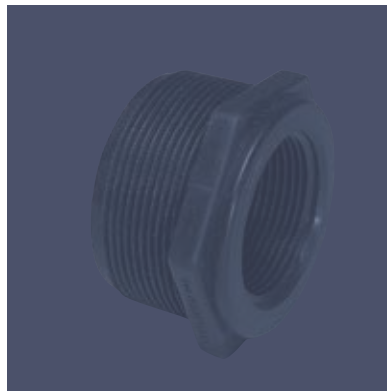
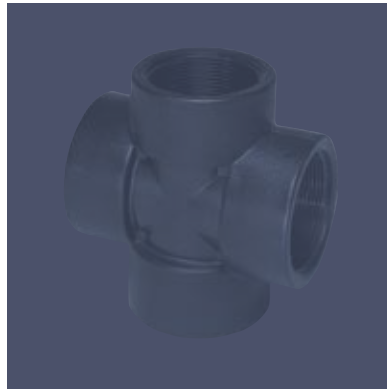
**NORWESCO
MEANS QUALITY AND SERVICE**

Norwesco is your complete source for the high-performance products required in agricultural and industrial fluid handling applications. We take pride in our ability to respond quickly and effectively to your fluid handling needs with same day order processing.

Our customer promise is three-fold:

- Dependable Service
- High Quality Products
- Affordable Prices

GO WITH THE FLOW
Call Norwesco for your fluid handling needs.



Norwesco, INC.

4365 Steiner Street
P.O. Box 439
St. Bonifacius, MN 55375-0439
Tel (800) 328-3420
Fax (800) 874-2371

www.norwesco.com