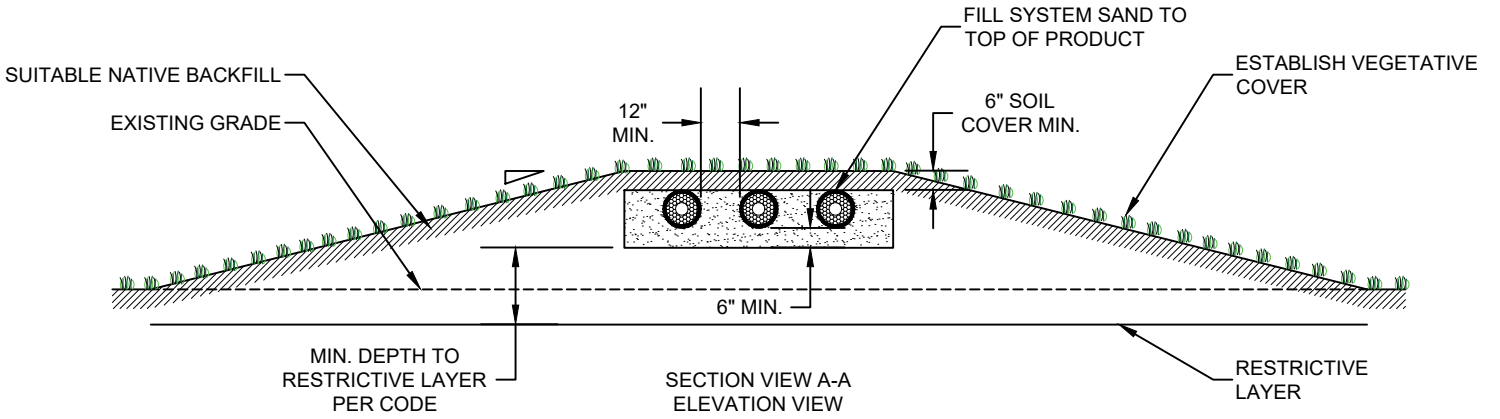
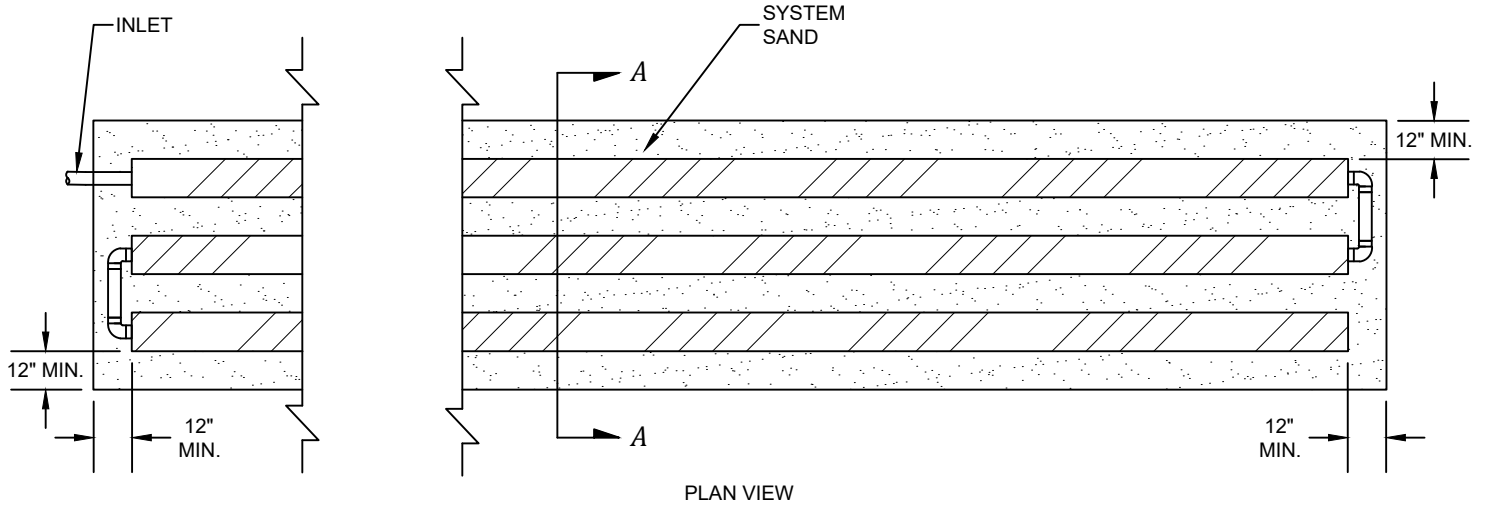


NOTES

1. NUMBER AND LENGTH OF CONDUITS PER DESIGN.
2. SERIAL DISTRIBUTION SHOWN, BUT SYSTEM MAY BE SERVED BY DISTRIBUTION BOX OR MANIFOLD.
3. VENTING IS NOT REQUIRED BUT IS OPTIONAL AT THE DISCRETION OF THE DESIGNER
4. PUMPING IS NOT REQUIRED UNLESS GRAVITY FLOW CANNOT BE ACHIEVED.



INFILTRATOR WATER TECHNOLOGIES, LLC
 4 BUSINESS PARK RD, OLD SAYBROOK, CT 06475
 WWW.INFILTRATORWATER.COM
 PHONE: (800) 221-4436 / EMAIL: INFO@INFILTRATORWATER.COM



LEVEL ELEVATED SYSTEM

| | |
|-----------|------------|
| PART NO. | ATL-010 |
| DATE | 07/26/2024 |
| SCALE | 1:60 |
| SHEET NO. | 01 of 01 |